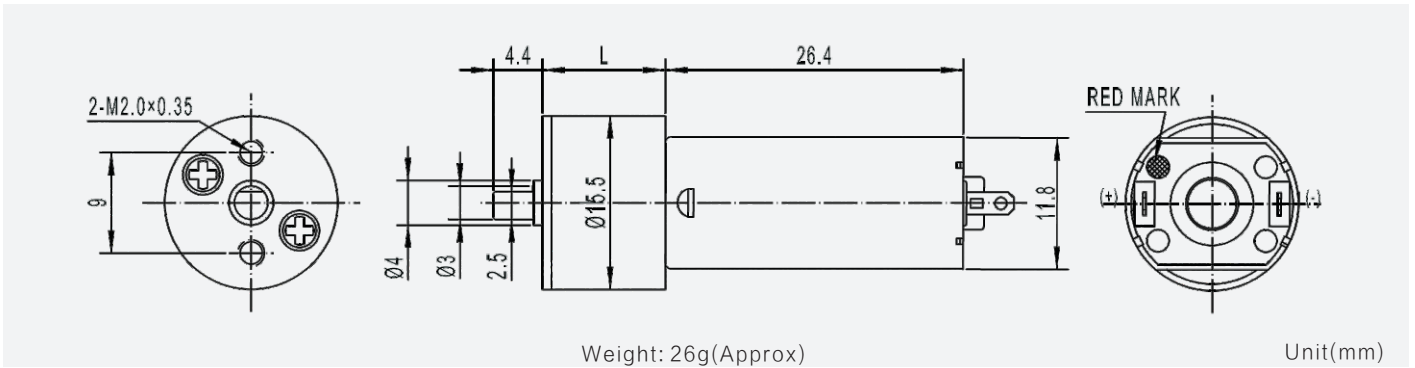


GM16-050SH

16mm gearbox plus 050 permanent magnet DC motor

| | | | |
|--|---------------|--------------------------------|------------------------------|
| Module | 0.15 | | |
| Rated torque (kg.cm) | 0.5 kg.cm max | | |
| Max momentary tolerance torque (kg.cm) | 1.0 kg.cm max | | |
| Reduction ratio | 1/10 | 1/17, 1/20, 1/35 1/63, 1/86 | 1/115, 1/150 1/250, 1/360 |
| Number of gear stages | 2 | 4 | 5 |
| Gearbox length L (mm) | 11.0 | | |



Gear Motor Technical Data

| Reduction ratio | | 10 | 20 | 35 | 63 | 86 | 115 | 150 | 250 | 360 |
|-----------------|---------------------|------|------|------|------|-----|-----|-----|-----|-----|
| 6.0V | No-load speed(rpm) | 1200 | 600 | 340 | 190 | 140 | 105 | 80 | 50 | 35 |
| | Rated speed(rpm) | 1000 | 500 | 285 | 158 | 116 | 92 | 73 | 46 | 33 |
| | Rated torque(kg.cm) | 0.08 | 0.14 | 0.25 | 0.44 | 0.5 | 0.5 | 0.5 | 0.5 | 0.5 |
| 12.0V | No-load speed(rpm) | 1230 | 620 | 350 | 200 | 145 | 110 | 85 | 50 | 36 |
| | Rated speed(rpm) | 950 | 475 | 270 | 150 | 110 | 82 | 73 | 46 | 33 |
| | Rated torque(kg.cm) | 0.08 | 0.14 | 0.25 | 0.44 | 0.5 | 0.5 | 0.5 | 0.5 | 0.5 |

Motor Technical Data

| Motor model | Rated voltage | No-load | | Rated | | | Stall | | |
|-----------------|---------------|---------|---------|-------|--------|---------|-------|--------|---------|
| | | Speed | Current | Speed | Torque | Current | Power | Torque | Current |
| | VDC | r/min | mA | r/min | g.cm | mA | W | g.cm | A |
| TFF-050SH-13120 | 6.0 | 12500 | 45 | 10000 | 10 | 255 | 1.03 | 50 | 1.30 |
| TFF-050SH-08240 | 12.0 | 12800 | 35 | 9700 | 10 | 150 | 0.99 | 41 | 0.55 |

