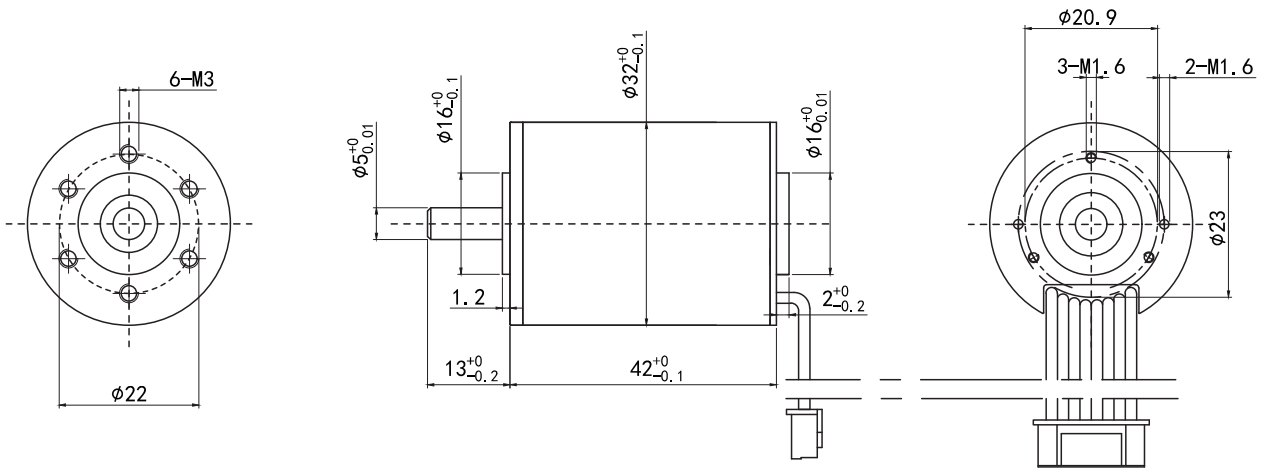


TBC3242 (Can be made into 4Pole motor)

32mm brushless motor

Power	45.5W(External Drive)
	/
Life Expectancy	~ 10000H(Ball Bearing)
	/



Weight:120(Approx)

Unit(mm)

Motor Technical Data

Motor model	Rated voltage VDC	No-load		Rated				Stall	
		Speed r/min	Current mA	Speed r/min	Torque g.cm	Current mA	Power W	Torque g.cm	Current A
TBC3242GH	12	5540	102	4709	4600	4600	45.5	6284	30
TBC3242GH	24	6466	114	3912	1900	1900	25.1	1581	4.6

