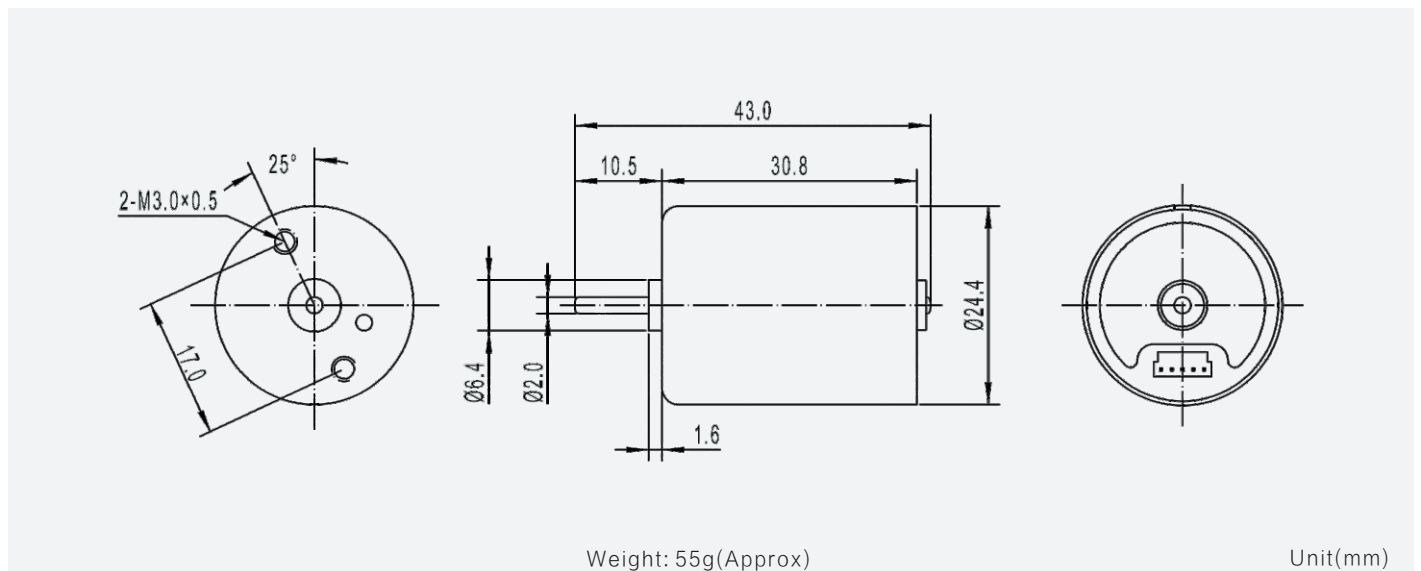
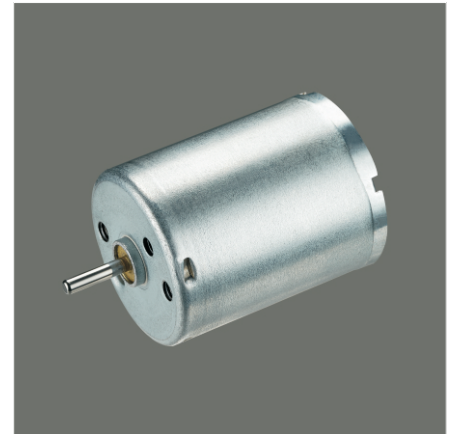


TEC2430

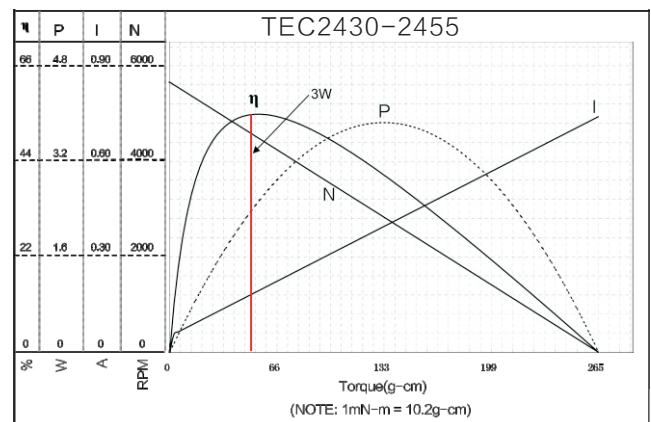
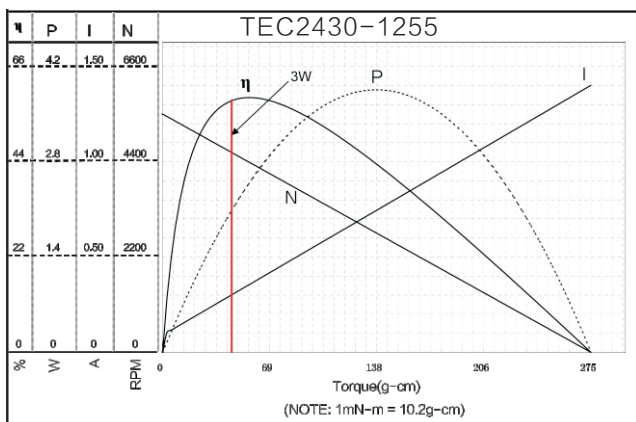
24mm brushless motor

Connection Mode A	
Clockwise Rotation/Counter Clockwise Rotation	
FG Signal	
PWM Control	
Locked Rotor Protection	
Power	3W(Internal Drive) /
Life Expectancy	~3000H(Oil Bearing) /



Motor Technical Data

Motor model	Rated voltage VDC	No-load		Rated				Stall	
		Speed r/min	Current mA	Speed r/min	Torque g.cm	Current mA	Power W	Torque g.cm	Current A
TEC2430-1255	12.0	5500	90	4500	50	330	2.3	270	1.4
TEC2430-2455	24.0	5500	50	4500	50	180	2.3	270	0.75



NOTE: the left side of red line area can continuous work